

Faucet Salina | Satin Finish

Faucets

Code: 8487 105



DETAILS

Texture Satin

Material Brass

Cartridge With ceramic discs

Rotating angle 360°

Mixer hole $\varnothing 1 \frac{3}{8}''$

Max worktop thickness $1 \frac{19}{64}''$

Mixer type Single lever faucet with rotating barrel and extractable double jet shower

Notes: Strengthening plate included

FEATURES

Rotating angle

All the taps have a wide angle of rotation. Some models even permit a full 360° rotation.

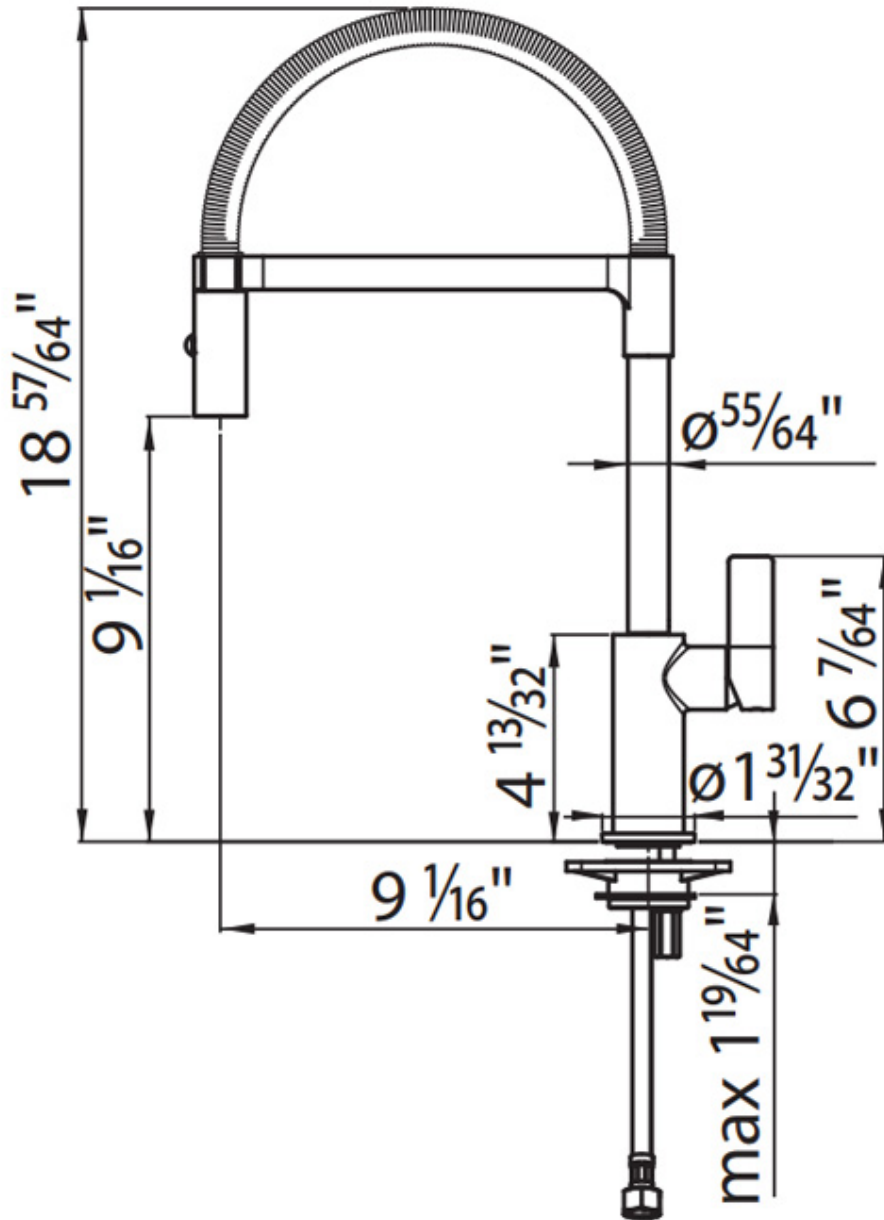
Strengthening plate

Foster's mixer taps are equipped with the strengthening plate that offers perfect stability on any sink.

Double jet (flow and rain)

Several models are equipped with a switch to easily change the flow from continuous to shower.

TECHNICAL DATA



RECOMMENDED PAIRINGS



Milano Cooktop 5 burners
7638 900



Sink Leonardo 33" x 20" - U/M
1014 660